

2022/2023

Inspiration®

GAS  
COLLECTION



Inspiration® 29 Gas Insert with Red Brick Panels and Regular Surround, featured with the Dracme Chicago Cast Stone Surround.



AMBIANCE®

FIREPLACES | GRILLS

# Inspiration®

GAS  
COLLECTION



Inspiration® 34 Fireplace Insert with Logs, Ledge Stone Finish and Citadel Surround.

Do you have a Victorian Home? Contemporary? Transitional? Take a good look at our offering for Decorative Surrounds. Featuring high quality materials and an incredible fit and finish, the Ambiance Decorative Surrounds will allow you to adapt the look of your gas insert to what you really want to achieve. It will fit your home décor!

The Inspiration® Gas Inserts are reliable, safe and tested to the highest standards in North America. Ambiance Fireplaces rank among the highest on the Energuide efficiency program.

**United Buyers**  
GROUP 

**FLEXIBLE FINANCING**

Most Ambiance Authorized Dealers offer advantageous & flexible financing solutions.

To apply online, visit  
[united-buyers-group.com/financing-program](http://united-buyers-group.com/financing-program)



## FEATURES

### FEATURES OF THE ELECTRONIC IGNITION SERIES

Radiant heat transfers warmth to objects, including the human body. It provides the bone warming feeling like sunlight on the beach, even though the air might be a little cooler. Convection heat transfers warmth to air, which will in turn satisfy the wall thermostat, but will keep objects, including the human body cooler. The Ambiance Inspiration® Inserts series offer you both technologies. Choose to operate without the fan and get an amazing radiant heater. Choose to operate it with the fan and you will be getting one of the most efficient inserts on the market today! Flexibility will serve you well!

### No Electricity Required

The Ambiance Inspiration® Inserts series perform very well if you find yourself without electricity. As one of the most efficient inserts on the market, it will keep you warm!



«Ecotel» Remote

The Inspiration® 29 and 34 come standard with the fan system, the ambient lights and the Ecotel remote.

### INTERIOR FINISHES



Matte Black Finish



Brick Finish



Grooved Finish



Tinted Mirrored Glass Finish



Ledge Stone Finish



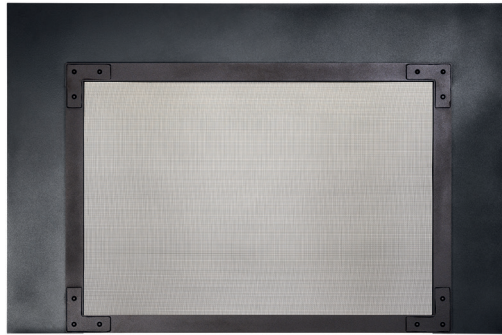
Inspiration® Insert with logs, red brick finish and Craftsmen Decorative Surround.



## DECORATIVE FRONTS



Novel

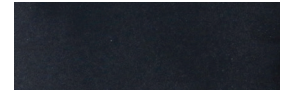


Citadel

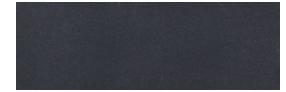


Craftsmen

## DECORATIVE FRONTS FINISHES



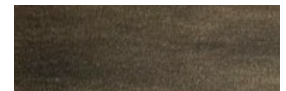
Textured Black



English Pewter



Forged Iron



Burnished Bronze



Burnished Cooper



Honey Maple



Redwood



Silver Birch

More finishes are available. Visit the Ambiance Website or ask your Ambiance Dealer.

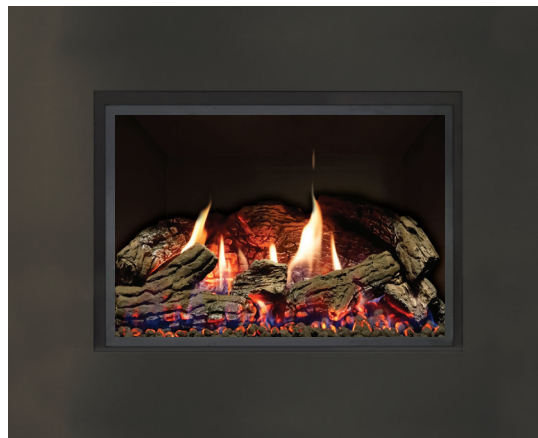


## STANDARD FRONTS

These Surrounds are offered in Black only.



Standard



4-sided Standard surround



## NON-COMBUSTIBLE MANTELS

### 1 PIECE



Live Edge Timber



Hewn Mortise Beam



Rough Sawn Beam



Lexington



Limestone

DESCRIPTION	DIMENSIONS	DESCRIPTION	DIMENSIONS
Live Edge Timber 5'	60"W x 8"D x 7"H	Lexington Mantel 57"	57"W x 8"D x 5"H
Live Edge Timber 6'	72"W x 8"D x 7"H	Lexington Mantel 69"	69"W x 8"D x 5"H
Hewn Mortise Beam 5'	60"W x 7"D x 6,5"H	Limestone 5'	60"W x 8"D x 7"H
Hewn Mortise Beam 6'	72"W x 7"D x 6,5"H	Limestone 6'	72"W x 8"D x 7"H
Rough Sawn Beam 5'	60"W x 8"D x 8"H		
Rough Sawn Beam 6'	72"W x 8"D x 8"H		

### 3-PIECE MANTELS



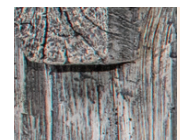
### 3-PIECE MANTEL FINISHES



Golden



Mahogany



Storm Grey

### 1-PIECE MANTEL FINISHES

Live Edge Timber, Hewn Mortise Beam, Rough Sawn Beam



Golden



Storm Grey



Mahogany

### Lexington



Rustic Pine



Classic Cedar



Seasoned Teak

### Limestone



Indiana



Tennessee

A piece of Timber really adds value to a fireplace mantel. With fireplaces becoming more and more efficient, clearances to combustibles have increased. Too many times, having a piece of wood above the fireplace is simply not possible. This is why, Ambiance Dealers have decided to get a solution in place. **These Ambiance Mantels are non-combustible!**

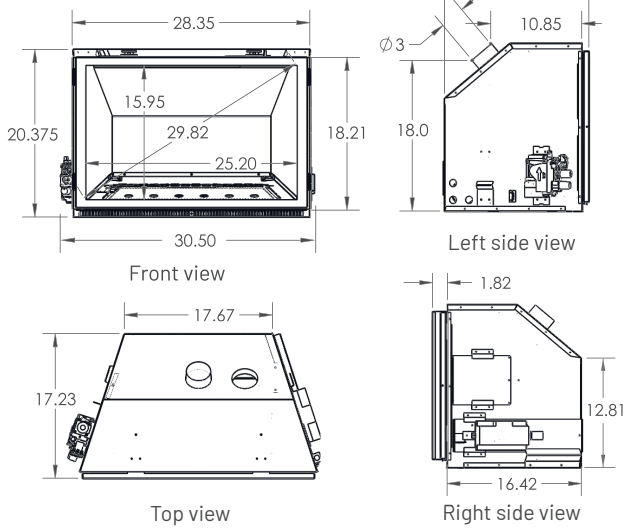
# Inspiration®



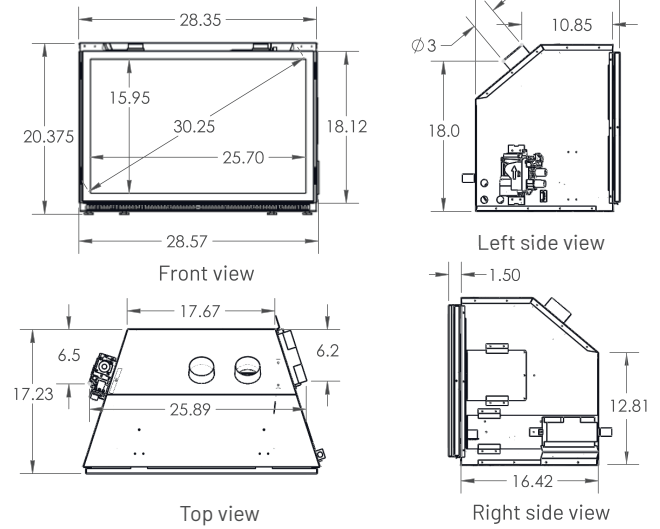
## TECHNICAL SPECIFICATIONS

### INSPIRATION® 29

With controls at the front



With controls at the back



BTU INPUT				EFFICIENCIES		VENTING			GLASS		
NG Max	LP Max	NG Low	LP Low	Energuide	Steady State	Type	Max. Height	ID & OD	Type	Dimensions	Area sq in
31,500	29,500	17,500	15,000	NG 71.4% LP 72.3%	NG 79% LP 79%	Flex	40 feet	3" ID	Pure vision Robax	25.75" x 16"	410

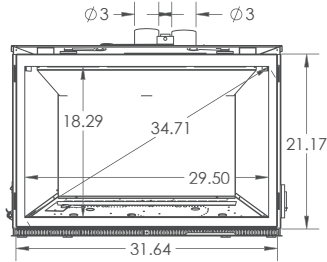
	DIMENSIONS			MINIMUM FIREPLACE OPENING			VENTILATION		GESTION DES FLAMMES		
	Height	Depth	Width	Height	Depth	Width	Type	CFM	Valve type	Thermostat	Turn Down
<b>Control back</b>	20"	17.25"	28.5625"	20"	18"	28.75"	Variable speed	125	IPI	Remote control	NG 45% LP 50%
<b>Control front</b>	20"	17.25"	30.5"	20"	18"	30.75"	Variable speed	125	IPI	Remote control	NG 45% LP 50%



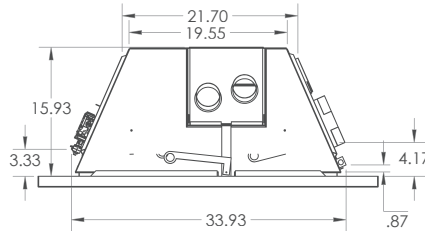
Inspiration® 34 Fireplace Insert with Logs, Tinted Mirrored Glass Finish and Standard Black Surround.

## TECHNICAL SPECIFICATIONS

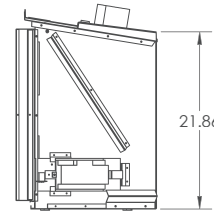
### INSPIRATION® 34



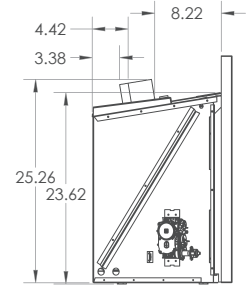
Front view



Top view



Right side view



Left side view

BTU INPUT				EFFICIENCIES		VENTING			GLASS		
NG Max	LP Max	NG Low	LP Low	Energuide	Steady State	Type	Max. Height	ID & OD	Type	Dimensions	Area sq in
40,000	40,000	21,000	20,000	71.93%	73.64%	Flex	40 feet	3"	Ceramic	29.5" x 18.25"	538

DIMENSIONS			MINIMUM FIREPLACE OPENING			BLOWER		FUEL MANAGEMENT		
Height	Depth	Width	Height	Depth	Width	Type	CFM	Valve type	Thermostat	Turn down
23.625"	15.9375"	33.9375"	24"	16"	34.625"	Variable Speed	125	IPI	Remote control	NG 47.5% LP 50%



Inspiration® 29 Fireplace Insert with a Brick Finish and Standard Black Surround.

## WHY CHOOSE AN AMBIANCE® FIREPLACE OR GRILL?

**Ambiance® transforms a house into a home!**

Ambiance® products will add elegance, peace of mind and comfort to the Soul of your home. All Ambiance® products are carefully selected and designed with your home in mind, to enrich the areas of your home where memories and life take place. The best quality and innovation are shown in the enhanced detail and features that add a little «je ne sais quoi» in our Ambiance designs.

Who are our designers? They are a network of over 300 Hearth & BBQ authorized members from coast to coast covering both Canada and USA. From Alaska to Québec and Florida to California, they know what it takes to warm up your life and use their real-world experience to design quality and innovative products for your home.

Who can sell the Ambiance® products? Only our select authorized dealers who are local professionals and who understand your local codes and standards.

A house needs a sense of Ambiance® to transform into a home.

*Ambiance®  
the Soul of your home*



### GAS FIREPLACES STANDARD EQUIPMENT INCLUDES

- › Innovative burner technology provides an extremely realistic ember bed and flame pattern.
- › Hand carved and hand painted logs create a natural and balanced appearance in the firebox.
- › Latest fire management technology includes your choice of the «standing pilot» or the «intermittent pilot system».
- › Certified and safety tested by top agencies in North America, including CSA and ANSI.
- › Sold and installed by the very best network of Fireplace Stores in the country!
- › Gas Inserts are manufactured in Beautiful British Columbia Canada using components made in the USA, Canada, Germany and Italy.