

2023/2024

Elegance®

WOOD  
COLLECTION



Elegance® 42 See-Thru with clean face surround, Ambiance® Lavarock stacked stones and 5-foot Golden Live Edge Ambiance® non-combustible mantel.



AMBIANCE®

FIREPLACES | GRILLS



# Elegance®

WOOD  
COLLECTION



Elegance® 36 louvered with arched door.

The Elegance® Series of wood burning fireplace by Ambiance® is an outstanding combination of innovative technology and modern personalized aesthetics. They are backed up by the best warranty in the industry.

All four models in the Elegance® Collection, the 36, 40, 42 & the 42 See-Thru models are lined with soapstone and include a patented primary air control system, which means better heat retention, slower burn rate and steady, consistent heat over a longer period. You'll enjoy more heat from less wood!

**United Buyers**   
GROUP

**FLEXIBLE FINANCING**

Most Ambiance® Authorized Dealers offer advantageous & flexible financing solutions.

To apply online, visit  
[united-buyers-group.com/financing-program](http://united-buyers-group.com/financing-program)



## FEATURES

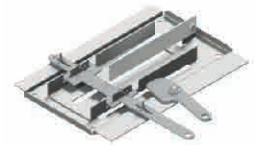
### AN EXCEPTIONAL FIRE

The Elegance® series offers an exclusive combination of aesthetics and technology with its four models that now include the first EPA certified see-through fireplace in the world! The Elegance® fireplaces are lined with Soapstone which has no equal for heat management. It absorbs 15 % more heat than firebrick and radiates heat 5 times more than firebrick. This increased efficiency is also the most beautiful to look at inside the firebox. It feels and looks rich!

The Elegance® series features a unique patented air control system. This is an important detail when it comes to a wood fireplace. It allows you to slow down the fire to as low as 0.8kg per hour. It will extend burntime and generate heat at a more even rate. When choosing a wood fireplace, make sure it truly has this type of control over the fire!

#### Watch how it works:

[www.ambiancefireplaces.com/wood-fireplaces](http://www.ambiancefireplaces.com/wood-fireplaces)



### HEATING COMFORT

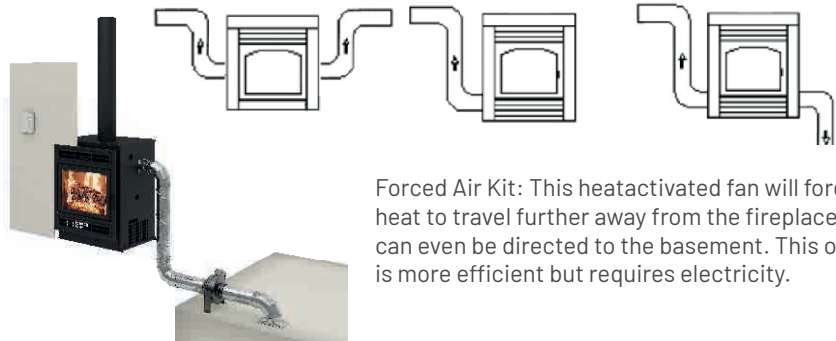
The Elegance® series provides heat generously!  
You may want to take advantage of it by sending heat to other parts of your home.

#### Option 1



Use the Hot Air Gravity Kit. This option works without electricity. Hot air will rise naturally and disperse the heat to a room close by. This option is required for a 'clean face' application.

#### Option 2



Forced Air Kit: This heatactivated fan will force the heat to travel further away from the fireplace. It can even be directed to the basement. This option is more efficient but requires electricity.



Elegance® 42 with louvered rectangular door, featuring the Ambiance® Atlas Snowdrift Stones.



# Elegance®



## STANDARD FRONTS

All offered in Metallic Black only. See-Thru model are only offered with rectangular fronts.



Arched Clean Face



Rectangular Clean Face



Arched Louvered

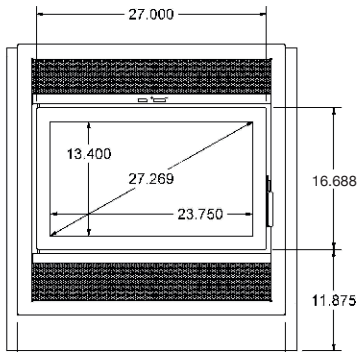


Rectangular Louvered

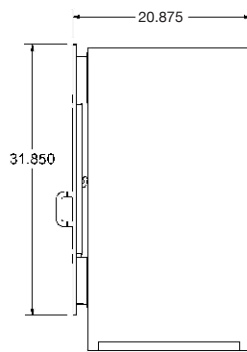


## TECHNICAL SPECIFICATIONS

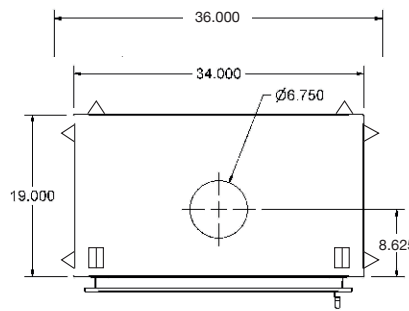
### ELEGANCE® 36



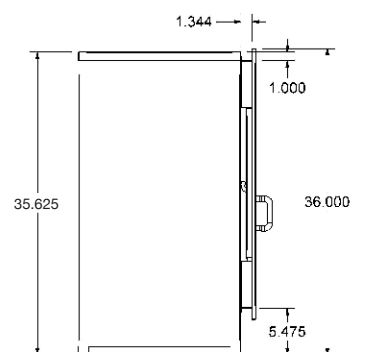
Front view



Right side view



Top view



Left side view

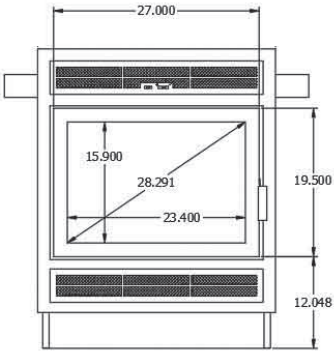
BTU		FIREBOX		EFFICIENCIES			VENTING		
Cordwood	EPA	Cu. Ft	Log Length	g / hr	Optimal %	LHV	Type	Diameter	Brands
75,000	25,944	2.4	24"	1.77 g	75 %	72.6 %	Class A	6-inch	All

GLASS			WEIGHT	DIMENSIONS			OPTIONAL BLOWER	
Type	Dimensions	Area sq in	Lbs	Width	Depth	Height	Type	CFM
Ceramic	23.75" X 13.4"	318	300	36"	21.875"	36.625"	Variable Speed	165

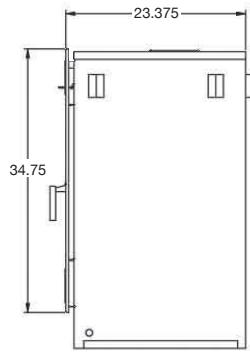


## TECHNICAL SPECIFICATIONS

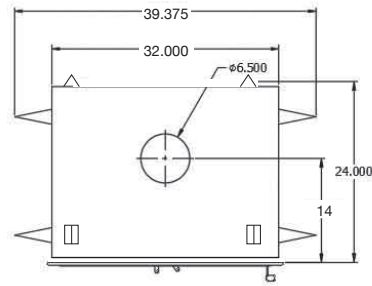
### ELEGANCE® 40



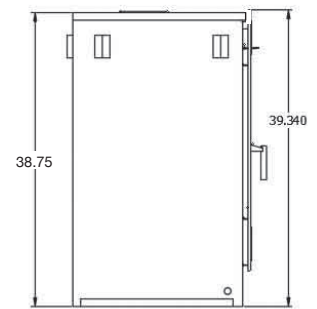
Front view



Right side view



Top view

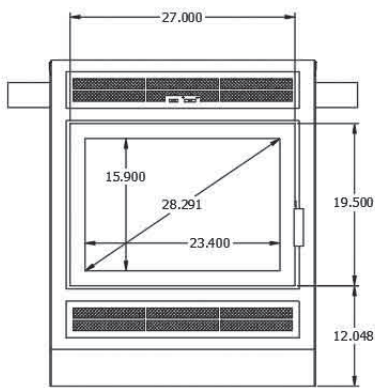


Left side view

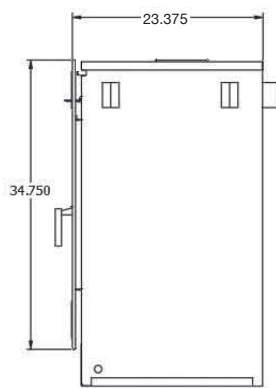
BTU		FIREBOX		EFFICIENCIES			VENTING		
Cordwood	EPA	Cu. Ft	Log Length	g / hr	Optimal %	LHV	Type	Diameter	Brands
90,000	29,274	3.2	20"	1.47 g	75 %	71.9 %	Class A	6-inch	All

GLASS		WEIGHT		DIMENSIONS			BLOWER INCLUDED	
Type	Dimensions	Area sq in	Lbs	Width	Depth	Height	Type	CFM
Ceramic	23.4" X 15.9"	372	340	39.375"	24.375"	39.34"	Variable Speed	165

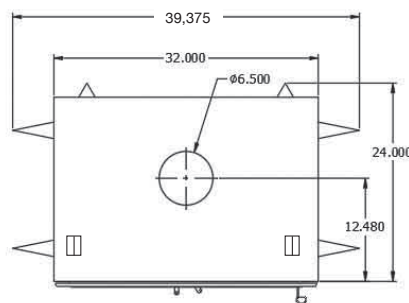
### ELEGANCE® 42



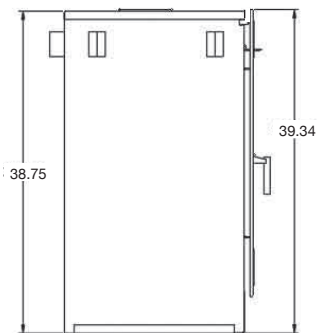
Front view



Right side view



Top view



Left side view

BTU		FIREBOX		EFFICIENCIES			VENTING		
Cordwood	EPA	Cu. Ft	Log Length	g / hr	Optimal %	LHV	Type	Diameter	Brands
100,000	26,354	3.8	23"	1.85 g	75 %	72.6 %	Class A	6-inch	All

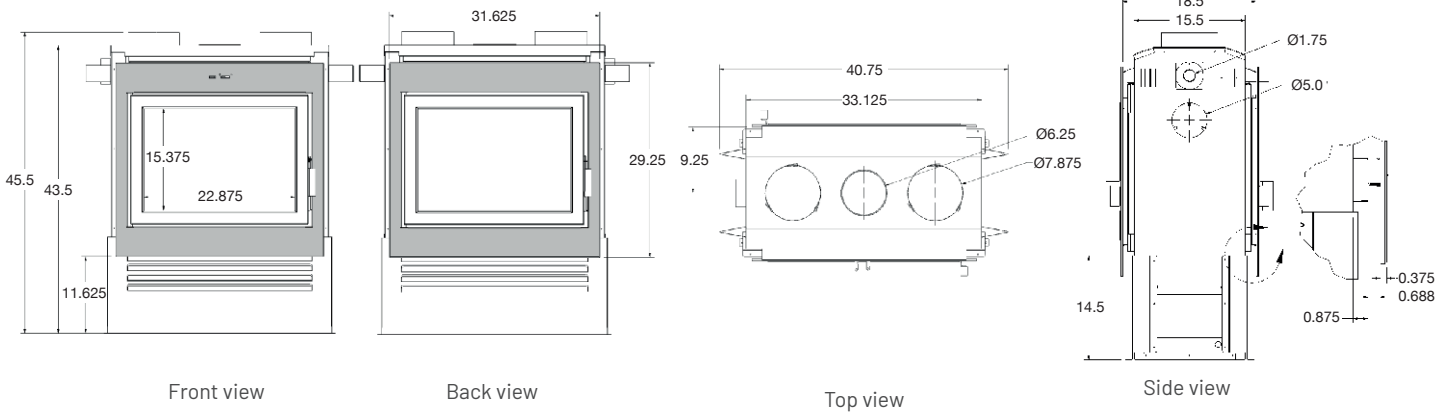
GLASS		WEIGHT		DIMENSIONS			BLOWERS INCLUDED	
Type	Dimensions	Area sq in	Lbs	Width	Depth	Height	Type	CFM
Ceramic	15.9" X 23.4"	372	350	39.375"	24.375"	39.34"	Variable Speed	165

# Elegance®



## TECHNICAL SPECIFICATIONS

### ELEGANCE® 42 SEE-THRU



BTU		FIREBOX		EFFICIENCIES			VENTING		
Cordwood	EPA	Cu. Ft	Log Length	g / hr	Optimal %	LHV	Type	Diameter	Brands
100,000	61,231	3.8	24"	2.16 g	75 %	69.92 %	Class A	6-inch	All

GLASS			WEIGHT	DIMENSIONS			BLOWERS INCLUDED	
Type	Dimensions	Area sq in	Lbs	Width	Depth	Height	Type	CFM
Ceramic	22.875" X 15.375"	352	310	40.75"	19.5"	43.625"	Variable Speed	165



Elegance® 42 See-Thru with clean face surround, Ambiance® Lavarock stacked stones and 5-foot Golden Live Edge Ambiance® non-combustible mantel.





## NON-COMBUSTIBLE MANTELS

### 1 PIECE



Live Edge Timber / Golden



Hewn Mortise Beam / Golden



Rough Sawn Beam / Golden



Sawmill Slab Mantel / Rustic pine



Limestone / Indiana Gray



Storm Grey



Mahogany



Storm Grey



Mahogany



Storm Grey



Mahogany



Classic Cedar



Seasoned Teak



Walnut



Tennessee Beige

DESCRIPTION	DIMENSIONS	DESCRIPTION	DIMENSIONS
Live Edge Timber 5'	60"W x 8"D x 7"H	Sawmill Slab Mantel 5'	60"W x 8¼"D x 4"H
Live Edge Timber 6'	72"W x 8"D x 7"H	Sawmill Slab Mantel 6'	72"W x 8¼"D x 4"H
Hewn Mortise Beam 5'	60"W x 7"D x 6,5"H	Limestone 5'	60"W x 8"D x 7"H
Hewn Mortise Beam 6'	72"W x 7"D x 6,5"H	Limestone 6'	72"W x 8"D x 7"H
Rough Sawn Beam 5'	60"W x 8"D x 8"H		
Rough Sawn Beam 6'	72"W x 8"D x 8"H		

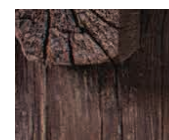
### 3-PIECE MANTELS



#### 3-PIECE MANTEL FINISHES



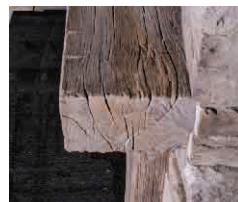
Golden



Mahogany



Storm Grey



A piece of Timber really adds value to a fireplace mantel. With fireplaces becoming more and more efficient, clearances to combustibles have increased. Too many times, having a piece of wood above the fireplace is simply not possible. This is why, Ambiance® Dealers have decided to get a solution in place. **These Ambiance® Mantels are non-combustible!**

## WHY CHOOSE AN AMBIANCE® FIREPLACE OR GRILL?

**Ambiance® transforms a house into a home!**

Ambiance® products will add elegance, peace of mind and comfort to the Soul of your home. All Ambiance® products are carefully selected and designed with your home in mind, to enrich the areas of your home where memories and life take place. The best quality and innovation are shown in the enhanced detail and features that add a little «je ne sais quoi» in our Ambiance® designs.

Who are our designers? They are a network of over 300 Hearth & BBQ authorized members from coast to coast covering both Canada and USA. From Alaska to Québec and Florida to California, they know what it takes to warm up your life and use their real-world experience to design quality and innovative products for your home.

Who can sell the Ambiance® products? Only our select authorized dealers who are local professionals and who understand your local codes and standards.

A house needs a sense of Ambiance® to transform into a home.

*Ambiance®  
the Soul of your home*



### WOOD FIREPLACES STANDARD FEATURES INCLUDES

- ▶ Innovative and Patented Automatic Air Control over the Fire.
- ▶ Gorgeous soapstone slabs covering the walls of the firebox.
- ▶ Arched or Rectangular looks combined to clean face or louvered applications.
- ▶ Certified and safety tested by top agencies in North America, including CSA and ANSI.
- ▶ Sold and installed by the very best network of Fireplace Stores in the country!
- ▶ Wood Fireplace are manufactured in La Belle Province, Québec, Canada using components made in the USA, Canada, Germany and Brazil.