

2023/2024

Outlander®

WOOD
COLLECTION



Outlander® 15 Woodstove



AMBIANCE®

FIREPLACES | GRILLS

Outlander®

WOOD
COLLECTION



Outlander® 19i Wood Insert

- › Non-Catalytic Technology.
- › Heavy Gauge Steel Construction.
- › Firebox designed for 20-inch logs.
- › Stoves are offered either on legs or pedestal.
- › Pure Vision Airwashed Glass.

United Buyers 
GROUP

FLEXIBLE FINANCING

Most Ambiance® Authorized Dealers offer advantageous & flexible financing solutions.

To apply online, visit
united-buyers-group.com/financing-program



FEATURES

AN OUTSTANDING VALUE

The Outlander® Series has the best value on the Market. Heavy plate steel construction, high efficiency combustion and a quick heat output!

HEATING COMFORT

The Outlander® Series is easy to operate with a single air control. The air washed glass radiates heat and produces that Ambiance® only a wood fire can provide.



Convection Fan Option



Heat activated and variable speed convection fan. The fan is included with the 19i wood insert. It is optional on the 15 & 19 wood stoves.



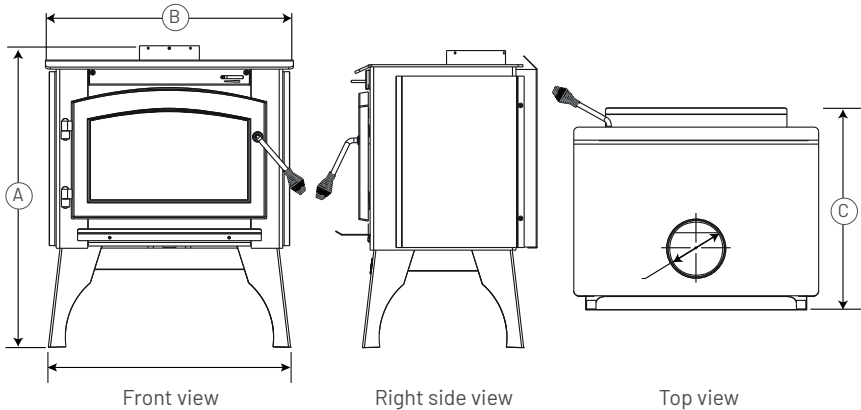
Outlander® 19 Woodstove

Outlander®

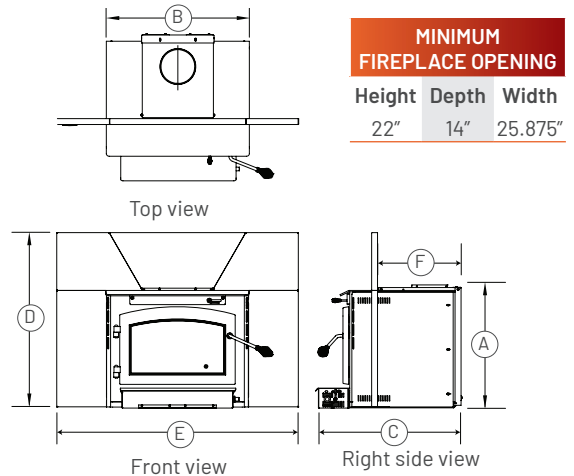


TECHNICAL SPECIFICATIONS

OUTLANDER® 15 | OUTLANDER® 19



OUTLANDER® 19i



	BTU		FIREBOX		CLEARANCES TO COMBUSTIBLE						EFFICIENCIES			VENTING	
	Cordwood	EPA	Cu. Ft	Log Length	Double Wall Pipe			Simple Wall Pipe			g / hr	Optimal %	HHV	Type	Diameter
					Back	Sides	Corner	Back	Sides	Corner					
15	52,000	30,042	1.9	20"	12.5"	19"	7"	17.5"	19"	11"	1.57 g	75 %	71.61 %	Class A	6-inch
19	75,000	54,127	2.3	20"	12.5"	19"	7"	17.5"	19"	11"	2.25 g	76 %	72 %	Class A	6-inch
19i	75,000	54,127	2.3	20"	N/A	N/A	N/A	N/A	N/A	N/A	2.25 g	76 %	72 %	Class A	6-inch

	GLASS			DIMENSIONS			BLOWER	
	Type	Dimensions	Area sq in	Height (A/D)	Depth (C/F)	Width (B/E)	Type	PCM
15	Ceramic	16.5" X 9.24"	152	31.5"	21.625"	26"	Optional - Variable speed and heat activated	150
19	Ceramic	16.5" X 9.24"	152	31.75"	24.375"	26"	Optional - Variable speed and heat activated	150
19i	Ceramic	16.5" X 9.24"	152	21.75"/30.875"	25.3"/11.5-19"	25.1"/43"	Included - Variable speed and heat activated	150

WHY CHOOSE AN AMBIANCE® FIREPLACE OR GRILL?

Ambiance® transforms a house into a home!

Ambiance® products will add elegance, peace of mind and comfort to the Soul of your home. All Ambiance® products are carefully selected and designed with your home in mind, to enrich the areas of your home where memories and life take place. The best quality and innovation are shown in the enhanced detail and features that add a little «je ne sais quoi» in our Ambiance® designs.

Who are our designers? They are a network of over 300 Hearth & BBQ authorized members from coast to coast covering both Canada and USA. From Alaska to Québec and Florida to California, they know what it takes to warm up your life and use their real-world experience to design quality and innovative products for your home.

Who can sell the Ambiance® products? Only our select authorized dealers who are local professionals and who understand your local codes and standards.

A house needs a sense of Ambiance® to transform into a home.

Ambiance®
the Soul of your home

